

STACKZ VG315 CMH PRO

Features

- Daisy chain power (up to 8 fixtures 240V, 10 fixtures 277V)
- Inverted reflector
- RJ14 control – dimming, on/off scheduling
- ON / OFF switch
- Damp rated
- CSA us certified*
- Secure, M19 twist-lock power connections
- 3 Year warranty (fixture)

Benefits

- 360° performance – maximized light output
- Minimize junction boxes via power daisy chain
- ON/OFF switch to allow individual lamp replacement
- Dimming, on/off scheduling via external control
- Low total cost of ownership

Lamp Options

Philips Elite Agro open fixture rated
PPF Tech Warm Deluxe open fixture rated
PPF Tech Neutral Deluxe open fixture rated

Cord Options

6' power cord with 240V plug
6' power cord with 277V plug
3' power cord – fixture to fixture
6' power cord – fixture to fixture
10' power cord – fixture to fixture
4' RJ14 control cord
20' RJ14 control cord
RJ14 control cord splice

Other

Power must be cycled off, then on, after replacing lamp
Restart ballast after 30 min if thermal protection is triggered
Restart ballast after waiting for at least 15 minutes

315W CMH Vertical Grow Fixture



Electrical

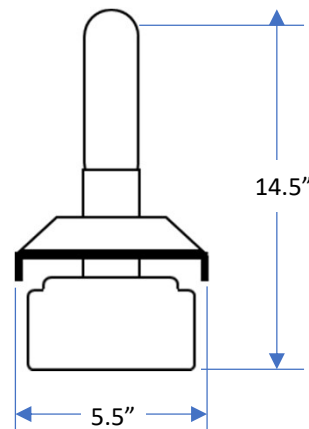
Input voltage (V)	240 - 277
Max input current (A @240V)	1.5
Max input current (A @277V)	1.4
Input power typical (W)	340
Frequency (Hz)	50/60
Power Factor (Min.)	.98
Ignition pulse (kV)	4-6
Min. starting voltage (VAC)	165
Max THD	10%

Mechanical / Safety

Weight (lbs.)	7.5
Dimensions (LxWxH)	9" x 4.5" x 14.5"
Input/output connection	Side leads
EMI	Meets FCC limit

Protection: Open circuit, short circuit, over temperature, lamp end of life, over voltage, low voltage

*UL1598 Luminaires – Edition 5
3 Year Warranty



STACKZ VG315 CMH PRO

Ordering Codes Fixture

VG315-CMH-X-Y

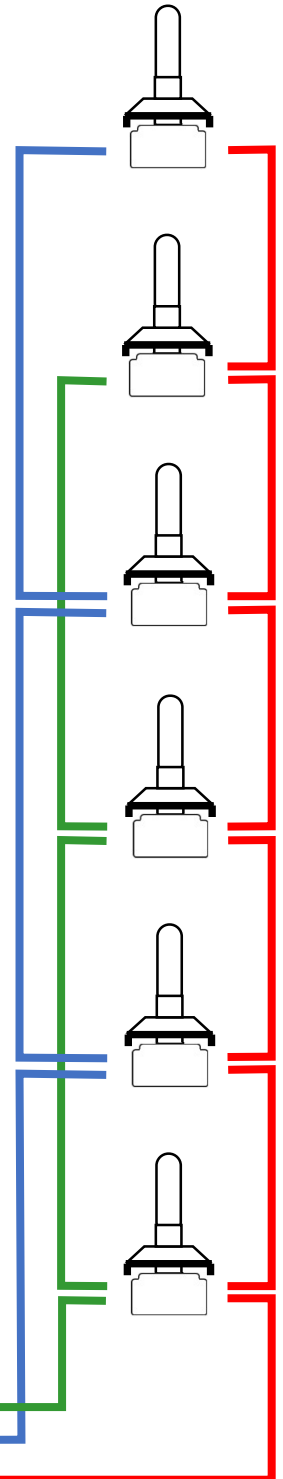
- X: Hanging method H = Hanging Eyelet
 V = Vertical tower Bracket
- Y: Lamp type 1 = PARNOVA Warm (3.2K)
 2 = PARNOVA Balanced (4.0K)
 3 = Philips Elite Agro (3.1K)
 4 = Philips MC Agro (4.2K)

Example order code: VG315-CMH-V-1

Ordering Codes Cords

- | | |
|--------------|--|
| PC-14G-6-240 | Power cord 6' with 240V plug |
| PC-14G-6-277 | Power cord 6' with 277V plug |
| PCF-14G-3 | Fixture to fixture power cord 3' with M19 plugs |
| PCF-14G-6 | Fixture to fixture power cord 6' with M19 plugs |
| PCF-14G-10 | Fixture to fixture power cord 10' with M19 plugs |
| RJC-4 | RJ14 control cord 4' |
| RJC-20 | RJ14 control cord 20' |
| RJS-1 | RJ14 control cord splice |

*Power cords with plug may be extended using fixture to fixture power cords



EXAMPLE LAYOUT

- Control Schedule A: ON/OFF/DIM (up to 50 fixtures)
- Control Schedule B: ON/OFF/DIM (up to 50 fixtures)
- Power (up to 8 fixtures @240V, 10@277V)