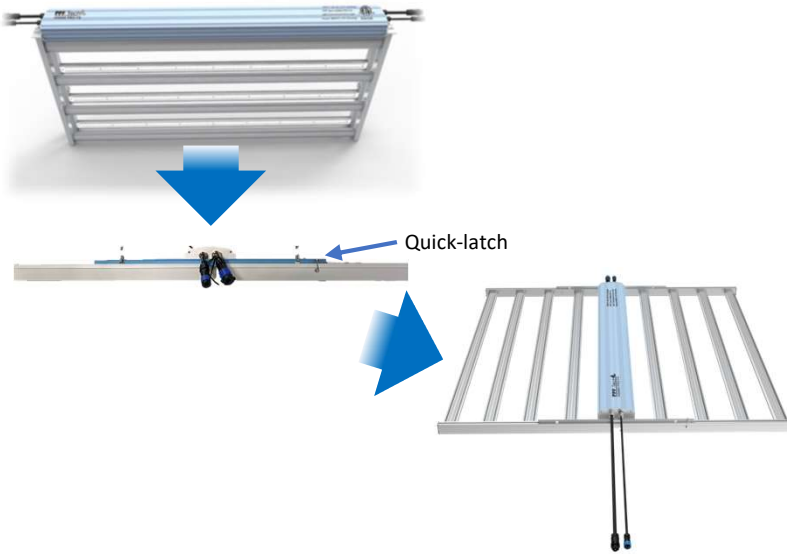


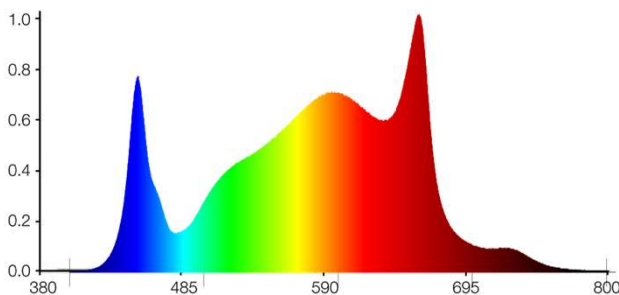
Features & Benefits

- Multi-beam technology for deeper light penetration
- Power Eco-link - daisy chain up to 4 fixtures per circuit
- Control link - daisy chain up to 50 fixtures per circuit
- Quick-latch mechanism for easy, secure installation
- Optimized, full spectrum including near UV and Far Red
- IP64 Rated Fixture – Protected from dust / splashed water
- IP65 Rated Driver for extra protection
- Secure M19 twist-lock power connections
- Larger LED array (44.9" x 46.5")
- 8-bar design supports even light distribution
- Quality components including Osram/Samsung LED arrays
- 0-10V dimming (OFF to 100%)
- 2,570 μmol at 940W (2.7 $\mu\text{mol}/\text{W}$)
- Long life – 50,000 hours (L70)



Output

- PPF (μmol) 2,570
- Efficacy ($\mu\text{mol}/\text{J}$) 2.73
- Spectrum Full + UVA + Far Red
- CCT (Kelvin) 4000
- Spectrum Full cycle growth



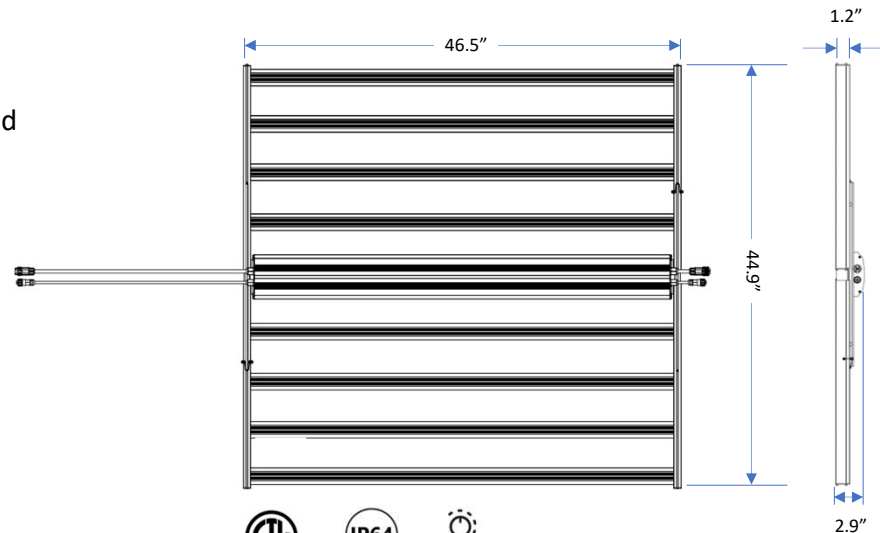
Electrical

Input power (W)	940 \pm 5%
Input voltage (V)	120-277

AC Voltage (V)	120	208	240	277
AC Current (A)	8.11	4.65	4.03	3.56
Power Factor	0.99	0.97	0.97	0.95
Max fixtures / 20A	1	3	3	4

Mechanical & Safety

Weight (lbs.)	27
Dimensions (LxWxH inches)	44.9 x 46.5 x 2.9
Input leads (power + control)	24"
Input/output power	M19 3-pin
Input/output control	M16 2-pin
Operating temperature ($^{\circ}\text{C}$)	-20 to 45
Fixture spacing (typical)	4' to 5' on center
Fixture rating	IP64
Driver rating	IP65
5 Year Warranty	



Ordering Codes: Power Cords

- PC-14G-6-120 Power cord 6' with NEMA 5-15P 120V plug
- PC-14G-6-240 Power cord 6' with NEMA 6-15P 240V plug
- PC-14G-6-277 Power cord 6' with NEMA L7-15P 277V plug

- PCF-14G-6 Fixture to fixture power cord 6' with M19 plugs
- PCF-14G-10 Fixture to fixture power cord 10' with M19 plugs

Ordering Codes: Controls

- CC-5-1 Fixture to fixture control cord 5 with M16 plugs
- CC-10-1 Fixture to fixture control cord 10' with M16 plugs
- CD-1 Control Device – Zigbee connection via mobile app
- GA-1 Gateway (Supports multiple CD-1 devices)
- CD-3 Control Device – hard wire (M16) connection
- CDX-1 Control Device – touch screen with PAR sensor option
- PARS-1 PAR sensor for daylight harvesting



For extended runs or to start a new row:

- PCF-14G-6 or PCF-24G-10: Fixture to fixture power cable █
- CC-5-1 or CC-10-1: Fixture to fixture control cable █

Power Cord Options

-  PC-14G-6-120
-  PC-14G-6-240
-  PC-14G-6-277

Control Options

-  **RM-M16** cable. Connects fixture to Trolmaster or other control systems having RJ output and 0-10V dim
- or
-  **CD-3 or CDX-1 Control**
PPF-Tech control system
Up to 60 fixtures per circuit

