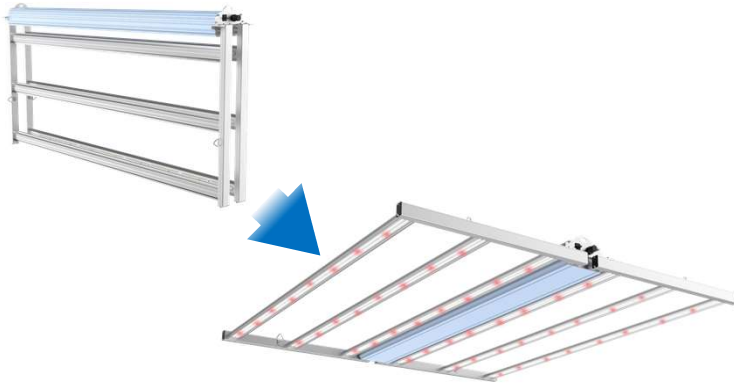


Features & Benefits

- Daisy chain power (up to 10 fixtures / circuit)
- Daisy chain controls (up to 40 fixtures / circuit)
- IP65 Rating – suitable for wet environment
- Secure M19 twist-lock power connections
- High quality components
- Osram/Samsung LED array
- 0-10V dimming capable (OFF to 100%)
- 885 μmol at 340W (2.6 $\mu\text{mol}/\text{W}$)
- Quick install via folding fixture capability
- Long life – 50,000 hours



Electrical

Input power (W)	340 \pm 10%
Input voltage (V)	120-277

AC Voltage (V)	120	240	277
AC Current (A)	2.86	1.45	1.27
Power Factor	0.99	0.98	0.97
Max fixtures / 20A	5	10	10

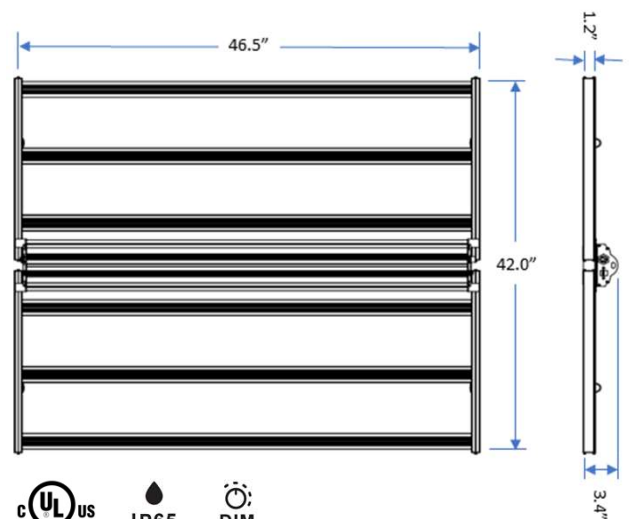
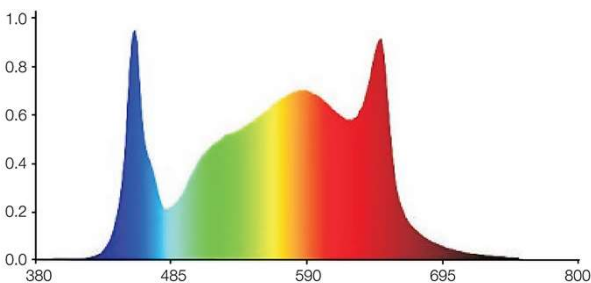
Mechanical & Safety

Weight (lbs.)	24.4
Dimensions (LxWxH inches)	42.0 x 46.5 x 3.4
Input leads (power + control)	24"
Input/output power	M19 3-pin
Input/output control	M19 2-pin
Operating temperature ($^{\circ}\text{C}$)	-20 to 45
Fixture spacing (typical)	5' on center

3 Year Warranty

Output

- | | |
|---|-------------------|
| • PPF (μmol) | 885 |
| • Efficacy ($\mu\text{mol}/\text{J}$) | 2.6 |
| • Spectrum | Full |
| • CCT (Kelvin) | 4000 |
| • Spectrum | Full cycle growth |




Ordering Codes: Power Cords


PC-14G-6-120	Power cord 6' with NEMA 5-15P 120V plug
PC-14G-6-240	Power cord 6' with NEMA 6-15P 240V plug
PC-14G-6-277	Power cord 6' with NEMA L7-15P 277V plug
PCF-14G-6	Fixture to fixture power cord 6' with M19 plugs
PCF-14G-10	Fixture to fixture power cord 10' with M19 plugs

Ordering Codes: Controls

CC-5-1	Fixture to fixture control cord 5 with M16 plugs
CC-10-1	Fixture to fixture control cord 10' with M16 plugs
CD-1	Control Device – Zigbee connection via mobile app
GA-1	Gateway (Supports multiple CD-1 devices)
CD-2	Control Device – hard wire connection

For extended runs or to start a new row:

PCF-14G-5 or PCF-24G-10: Fixture to fixture power cable 

CC-5-1 or CC-10-1: Fixture to fixture control cable 

Power Cord / Plug (To 1st fixture)



PC-14G-6-120



PC-14G-6-240



PC-14G-6-277

Control (To 1st fixture)



RM-M16 cable. Connects to Trolmaster, PPF Tech CD-2 or other control systems having RJ output or



CD-1 Control with cable
PPF-Tech remote, app-based control system

