

SPREADZ HG315 CMH PRO

Features

- Daisy chain power (up to 8 fixtures 240V, 10 fixtures 277V)
- Quick-mount hanger with optional eye hanging
- UNI-Spread reflector
- RJ14 control – dimming, on/off scheduling
- ON / OFF switch
- Damp rated
- Secure, M19 twist-lock power connections
- CSA us certified
- 3 Year warranty (fixture)

Benefits

- Up to 2X light over 5' x 5' grow area
- Minimize junction boxes through power daisy chain
- ON/OFF switch allows individual lamp replacement
- Dimming, on/off scheduling via external control
- Quick installation
- Low total cost of ownership

Lamp Options

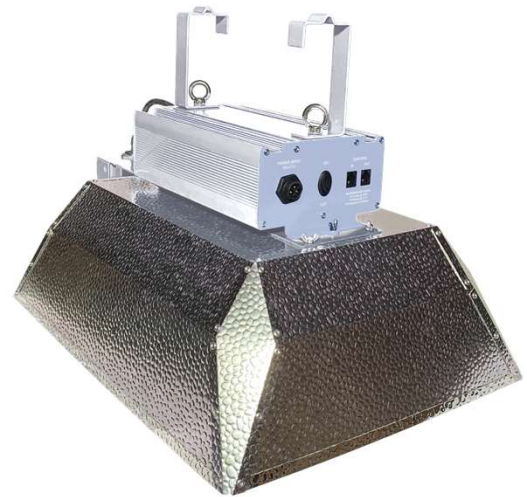
Philips Elite Agro open fixture rated
 PPF Tech Warm Deluxe open fixture rated
 PPF Tech Neutral Deluxe open fixture rated

Cord Options

6' power cord with 240V plug
 6' power cord with 277V plug
 3' power cord – fixture to fixture
 6' power cord – fixture to fixture
 10' power cord – fixture to fixture
 4' RJ14 control cord
 20' RJ14 control cord
 RJ14 control cord splice

Other

Power must be cycled off, then on, after replacing lamp
 Restart ballast after 30 min if thermal protection is triggered
 Restart ballast after waiting for at least 15 minutes
 Maximum dimming = down to 60% of max watts



Electrical

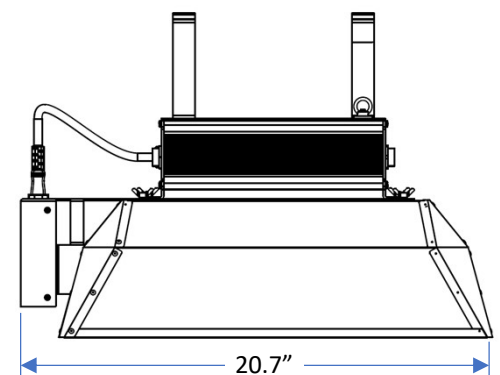
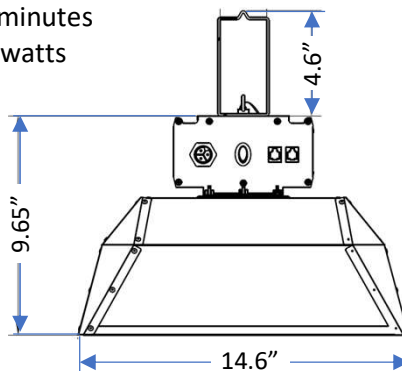
Input voltage (V)	240 - 277
Max input current (A @240V)	1.5
Max input current (A @277V)	1.4
Input power typical (W)	340
Frequency (Hz)	50/60
Power Factor (Min.)	.98
Ignition pulse (kV)	4-6
Min. starting voltage (VAC)	165
Max THD	10%

Mechanical / Safety

Weight (lbs.)	6.9
Dimensions (LxWxH)	20.7 x 14.6 x 9.7"
Input/output connection	Side leads
EMI	Meets FCC limit

Protection: Open circuit, short circuit, over temperature, lamp end of life, over voltage, low voltage

3 Year Warranty



STACKZ HG315 CMH PRO

Ordering Codes Fixture

HG315-CMH-X

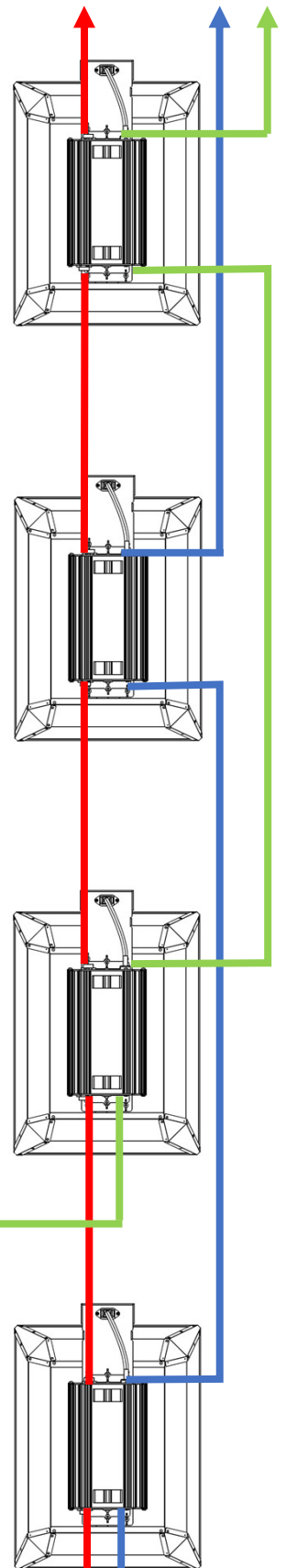
X: Lamp type 1 = PARNOVA Warm (3.2K)
 2 = PARNOVA Balanced (4.0K)
 3 = Philips Elite Agro (3.1K)
 4 = Philips MC Agro (4.2K)

Example order code: HG315-CMH-2

Ordering Codes Cords


PC-14G-6-240	Power cord 6' with 240V plug
PC-14G-6-277	Power cord 6' with 277V plug
PCF-14G-3	Fixture to fixture power cord 3' with M19 plugs
PCF-14G-6	Fixture to fixture power cord 6' with M19 plugs
PCF-14G-10	Fixture to fixture power cord 10' with M19 plugs
RJC-4	RJ14 control cord 4'
RJC-20	RJ14 control cord 20'
RJS-1	RJ14 control cord splice

*Power cords with plug may be extended using fixture to fixture power cords



EXAMPLE LAYOUT

Control Schedule A: ON/OFF/DIM (up to 50 fixtures) 

Power (up to 8 fixtures @240V, 10@277V) 

Control Schedule B: ON/OFF/DIM (up to 50 fixtures) 