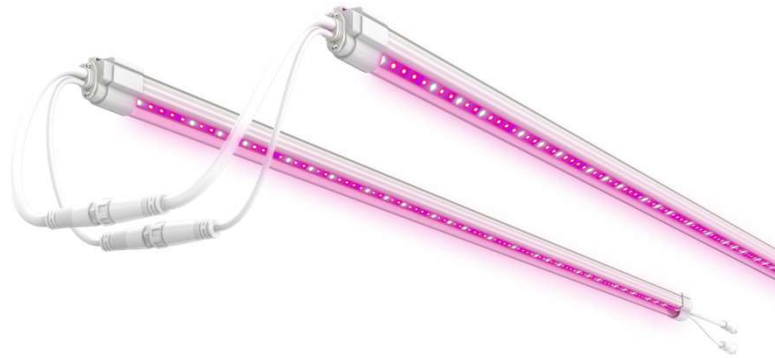


### Features & Benefits

- Power Eco-link - daisy chain up to 20 fixtures per circuit
- Control link – Control up to 60 fixtures per circuit
- Full, red-weighted spectrum, optimized for rooting
- IP65 Rated – Suitable for damp environment
- Secure, water-resistant twist-lock power connections
- Fixture optics designed for 4' x 2' racking
- Dimmable
- Quality components including Osram RED LED
- 65  $\mu\text{mol}$  at 24W (2.7  $\mu\text{mol}/\text{W}$ )
- Long life – 50,000 hours (L70)
- Optional bracket angles to optimize output for 1 or 2-bars



### Electrical

Input power (W)	24 $\pm$ 5%
Input voltage (V)	120-240

AC Voltage (V)	120	240
AC Current (A)	0.202	0.103
Power Factor	0.98	0.96
Max fixtures / 20A circuit	65	130
Max fixtures / plug	20	20

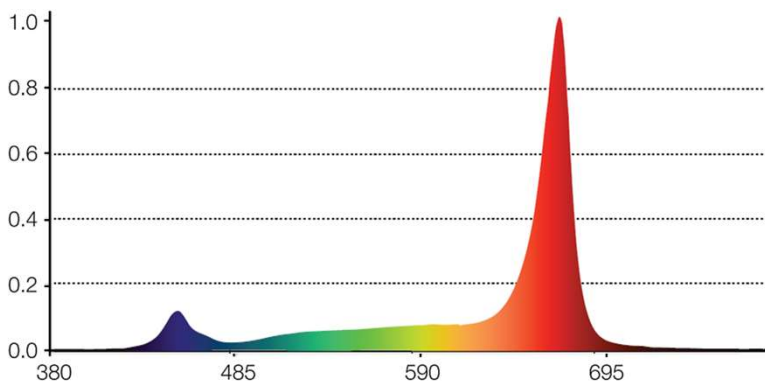
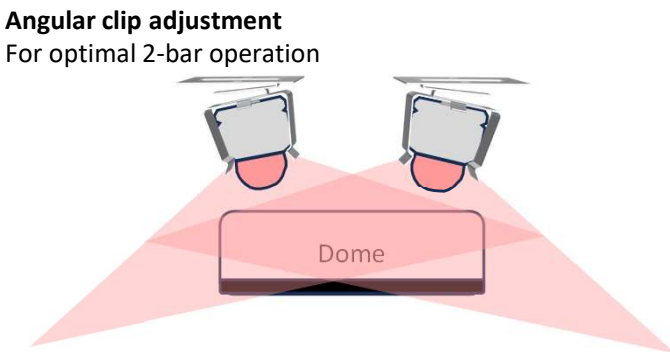
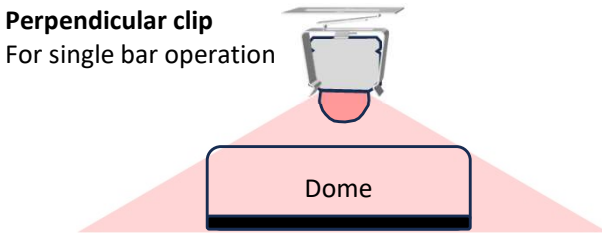
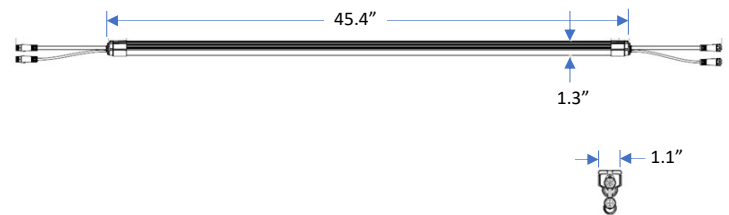
### Output (per bar)

PPF ( $\mu\text{mol}$ )	65
Efficacy ( $\mu\text{mol}/\text{J}$ )	2.7
Spectrum	Full, red weighted
CCT (Kelvin)	2160

### Mechanical & Safety

Weight per bar (lbs.)	1.1
Dimensions (LxWxH inches)	45.4 x 1.1 x 1.3
Input lead length (inches)	9.8
Daisy chain lead length	9.8"
Input/output power	M12 (3 pin)
Input/output control	M12 (2 pin)
Operating temperature ( $^{\circ}\text{C}$ )	-20 to 40

5 Year Warranty

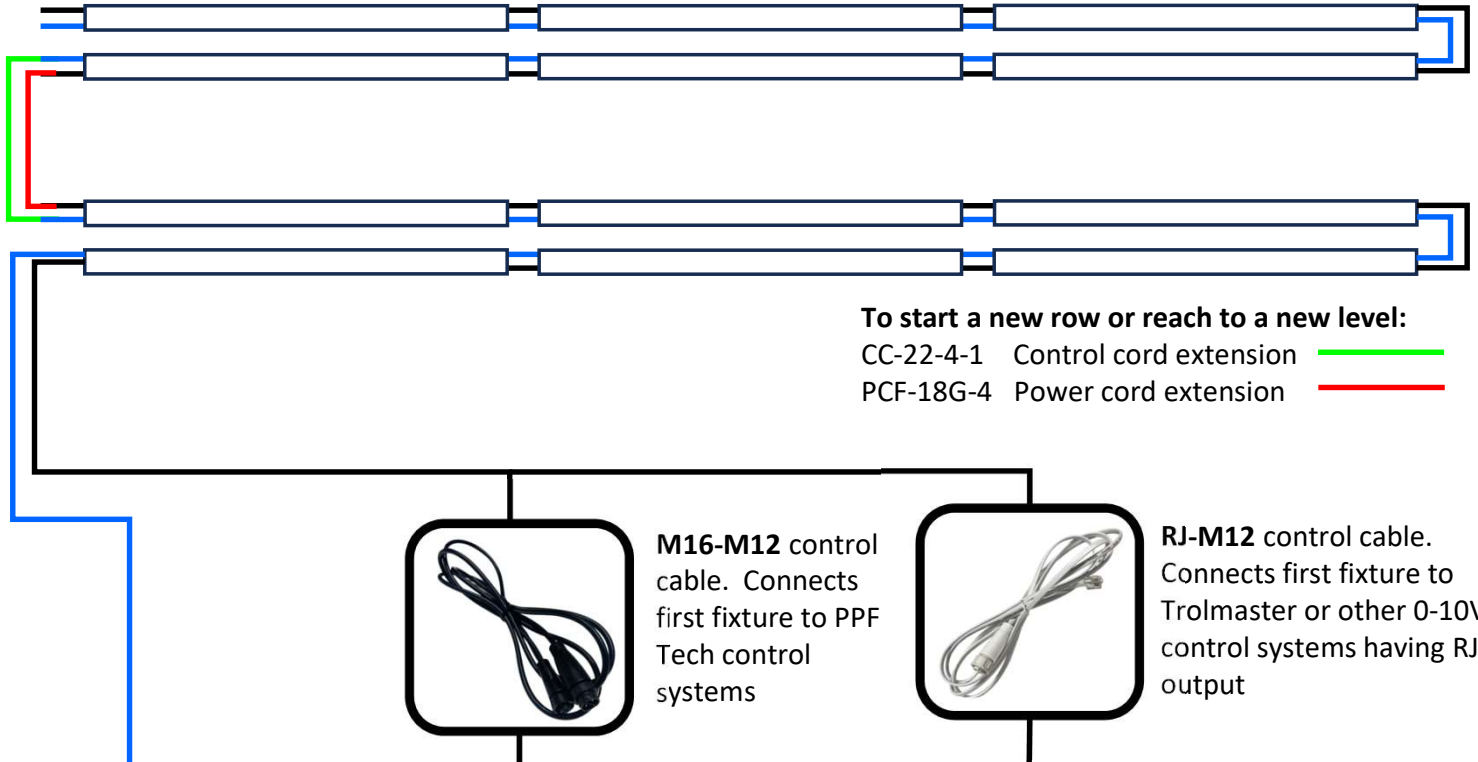


### Ordering Codes: Power Cords

PC-18G-6-120	Power cord 6' with NEMA 5-15P 120V plug (included with fixture)
PC-18G-6-240	Power cord 6' with NEMA 6-15P 240V plug
PCF-18G-4	Power cord extension 4' with M12 3-pin plugs

### Ordering Codes: Control

CC-22-4-1	Control cord extension 6' with 2-pin M12 plugs
CD-3	Control Device – hard wire (M16) connection
M16-M12	Control conversion cord – converts M16 output from PPF Tech controllers to M12
RJ-M12	Control conversion cord – converts RJ output from 0-10V dimming controllers to M12



To start a new row or reach to a new level:

- CC-22-4-1 Control cord extension —
- PCF-18G-4 Power cord extension —



**M16-M12** control cable. Connects first fixture to PPF Tech control systems



**RJ-M12** control cable. Connects first fixture to Trolmaster or other 0-10V control systems having RJ output

#### Power

Connect cord/plug to first fixture. Daisy chain up to 20 fixtures



#### Control Option A

PPF Tech CD-3 or CDX-1 control with M16 output connection



#### Control Option B

0-10V Control with RJ-12 output connection

